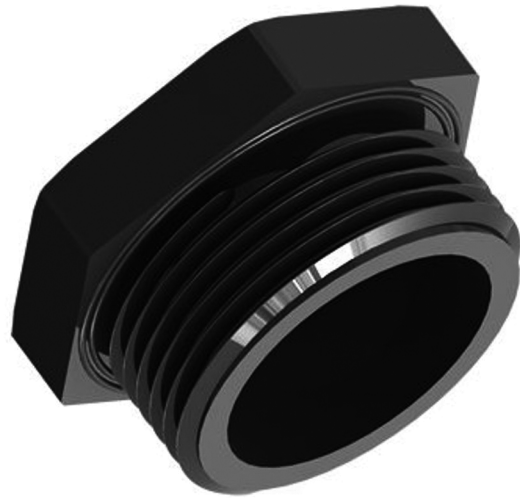


Features

- Stopping plug for unused cable entries
- High impact-resistant polyamide material, black
- Thread M12
- Hexagon head
- Ex eb and Ex tb certified
- Suitable for operation in Zone 1, Zone 2, Zone 21 and Zone 22
- Full impact resistance of 7 J at -40 °C according to IEC/EN 60079-0 for the full range without limitations
- Packaging unit: 50 pieces, without accessories

Assembly**Technical data****Mechanical specifications**

Thread type	metric ISO pitch 1.5 mm
Thread size (TD)	M12
Degree of protection	IP66 / IP68
Material	
Finish	inherent color black
Washer gasket	flat chloroprene gasket
Stopping plug	high impact-resistant polyamide

Mass

Individual component	approx. 1.5 g
Packing unit	approx. 102 g

Dimensions

Diameter thru-hole (DT)	12 ... 12.2 mm
Width across flats (SW1)	15 mm
Thread length (TL)	10 mm
Total length (L)	15 mm
Tightening torque	
Nut torque at enclosure (SW1)	1.5 Nm

Ambient conditions

Ambient temperature	-40 ... 70 °C (-40 ... 158 °F)
---------------------	--------------------------------

Data for application in connection with hazardous areas

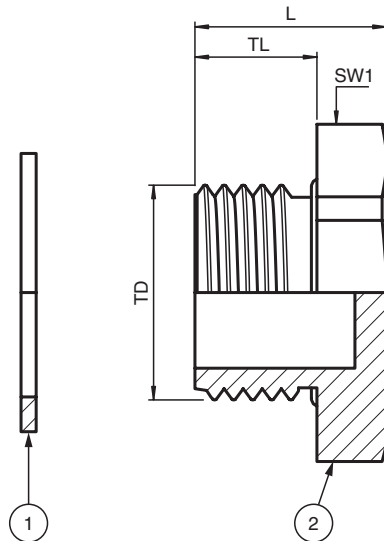
EU-type examination certificate	IMQ 15 ATEX 006 X
Marking	ⓧ II 2 GD Ex eb IIC Gb Ex tb IIIC Db

International approvals

IECEx approval	IECEx IMQ 15.0001X
----------------	--------------------

EAC approval	TC RU C-TR.GB05.B.00918
Conformity	
Degree of protection	EN 60529
General information	
Delivery quantity	50
Scope of delivery	Stopping Plugs, Plastic brief instructions (1 copy)
Supplementary information	EC-Type Examination Certificate, Statement of Conformity, Declaration of Conformity, Attestation of Conformity and instructions have to be observed where applicable. For information see www.pepperl-fuchs.com .

Dimensions



Legend

1	Flat gasket
2	Stopping plug
L	Total length
SW*	Width across flats
TD	Thread size
TL	Thread length

Release date 2019-08-07 10:48 Date of issue 2019-08-07 291458_eng.xml